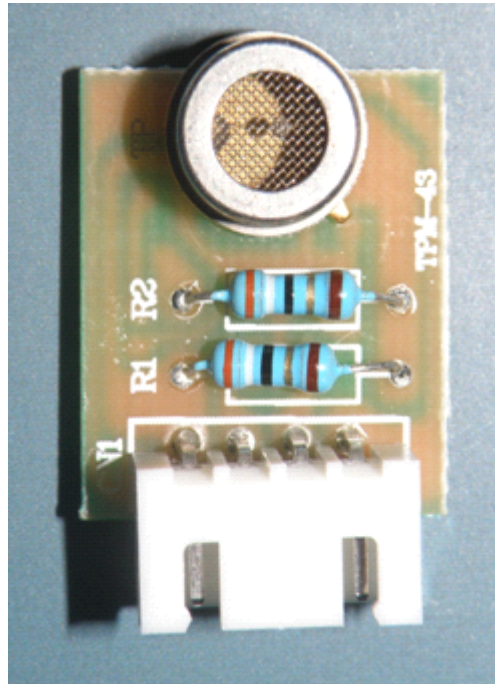


Pollution Sensor Module Manual



Main components

1. SENSOR: TP-4 air pollution sensor
2. CN1: Input/output sockets
3. IC: Sensor-specific signal processors

Input and output sockets

1. Negative input power supply
2. Positive power supply input
3. Pollution level signal OUT1
4. Pollution level signal OUT2

Parameters

1. Input voltage: DC5V \pm 0.1V
2. Preheat current: \leq 230mA
3. Operation current: \leq 50mA
4. Output level: TTL level
5. Maximum output drive current: \pm 15mA

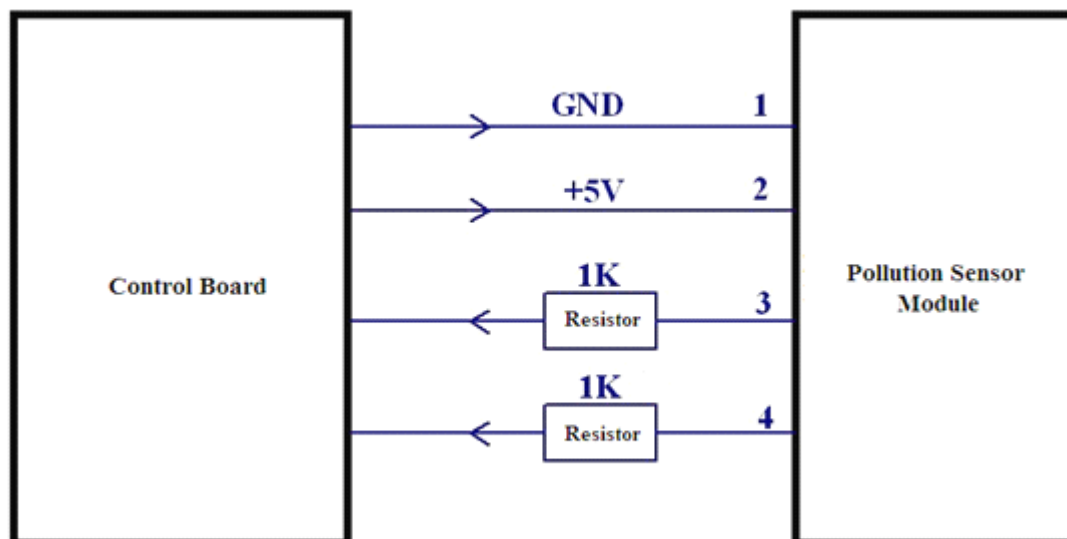
- 6. Dimensions: 20 × 17 × 9.3mm
- 7. Interface pin spacing: 2.54mm

Definition of output signal

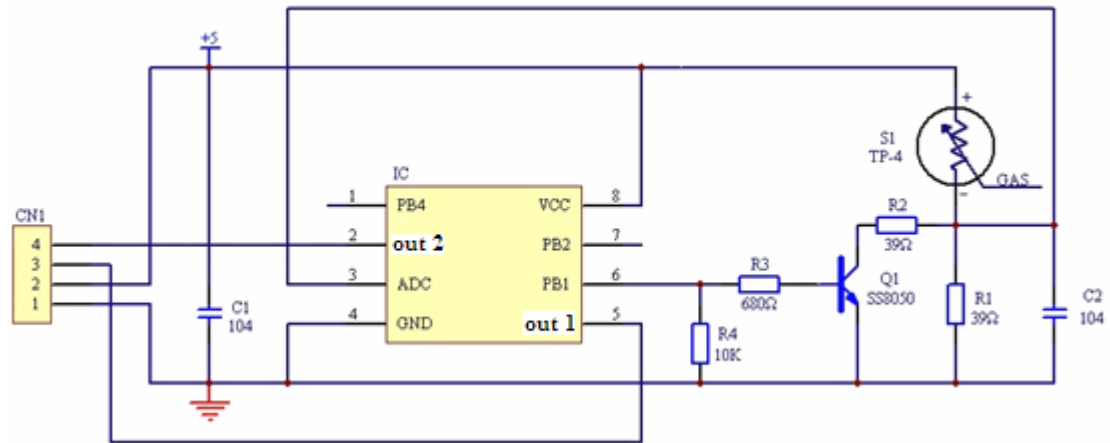
OUT2	OUT1	Working state	Pollution Level
0	0	Pollution	0
0	1	Pollution/warm	1
1	0	Polluting	2
1	1	Polluting	3

Sensor fault: OUT, OUT1 both output 2Hz square wave

Application diagram



Circuit Diagram



Applications Area

- Air Purifier
- Ventilation, ventilation control
- Air Quality Monitoring
- Automatic ventilation control air conditioning